

Technical data sheet



Product features

Cooking range gas 4x burner without cabinet

Model	SAP Code	00110095
--------------	-----------------	----------



- Device type: Gas unit
- Power consumption of the zone 1 [kW]: 1x burner 4.5 kW
- Power consumption of the zone 2 [kW]: 3 burner 7.5 kW
- Power consumption of the zone 3 [kW]: 7,5
- Power consumption of the zone 4 [kW]: 4,5
- Ignition: Eternal flame
- Protection of controls: IPX4
- Material: AISI 304 top plate, AISI 430 cladding

SAP Code	00110095	Type of gas	Natural gas, propane butane
Net Width [mm]	800	Number of zones	4
Net Depth [mm]	700	Power consumption of the zone 1 [kW]	1x burner 4.5 kW
Net Height [mm]	330	Power consumption of the zone 2 [kW]	3 burner 7.5 kW
Net Weight [kg]	50.00	Power consumption of the zone 3 [kW]	7,5
Power gas [kW]	27.000	Power consumption of the zone 4 [kW]	4,5

Technical data sheet



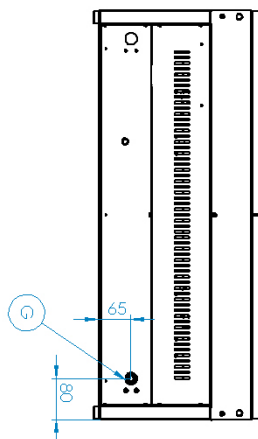
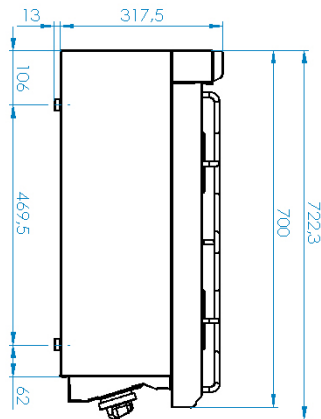
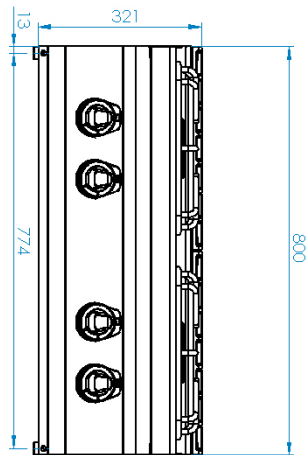
Technical drawing

Cooking range gas 4x burner without cabinet

Model

SAP Code

00110095



Cooking range gas 4x burner without cabinet

Model

SAP Code

00110095

1

Massive construction of burners

high performance and efficiency
brass burners removable
eternal flame
long life
demountable

- energy saving (perfect combustion)
- time saving for food preparation
- easy maintenance/cleaning

2

Hygienic moldings of the top plate

absence of sharp corners and edges (potential places where dirt could stick)
smooth transitions

- easy quick cleaning

3

Degree of protection of the control elements IPX4

maintenance-free system
resistance to splash water
long life

- savings on service interventions
- easy cleaning and maintenance of equipment

4

All-stainless design

long life
resistance of a ground steel plate with a thickness of 10 mm

- savings on service interventions
- higher corrosion resistance

5

Safety element - thermocouple

safe operation for personnel
there is no overheating and damage to the thallus
long life

- savings on service interventions
- easier and faster operation

6

Cooking unit for use on a table or on a base

variable use
the possibility of placement in smaller spaces

- easy handling
- cost savings on substructure

Technical data sheet



Technical parameters

Cooking range gas 4x burner without cabinet

Model

SAP Code

00110095

1. SAP Code:

00110095

2. Net Width [mm]:

800

3. Net Depth [mm]:

700

4. Net Height [mm]:

330

5. Net Weight [kg]:

50.00

6. Gross Width [mm]:

840

7. Gross depth [mm]:

800

8. Gross Height [mm]:

390

9. Gross Weight [kg]:

61.00

10. Device type:

Gas unit

11. Construction type of device:

Table top

12. Power gas [kW]:

27.000

13. Ignition:

Eternal flame

14. Type of gas:

Natural gas, propane butane

15. Protection of controls:

IPX4

16. Material:

AISI 304 top plate, AISI 430 cladding

17. Worktop type:

Molded - comfortable cleaning maintenance

18. Worktop material:

AISI 304

19. Worktop Thickness [mm]:

1.20

20. Number of zones:

4

21. Power consumption of the zone 1 [kW]:

1x burner 4.5 kW

22. Power consumption of the zone 2 [kW]:

3 burner 7.5 kW

23. Power consumption of the zone 3 [kW]:

7,5

24. Power consumption of the zone 4 [kW]:

4,5

25. Grid material:

Cast iron

26. Service accessibility:

Trough the frontal panel

27. Safety thermocouple:

Yes

28. Adjustable feet:

Yes

Technical data sheet



Technical parameters

Cooking range gas 4x burner without cabinet

Model	SAP Code	00110095
--------------	-----------------	----------

29. Number of burners/hot plates:

4

31. Burner type:

Cast iron, detachable, with internal and external combustion

30. Type of gas cooking zones:

Brass burners